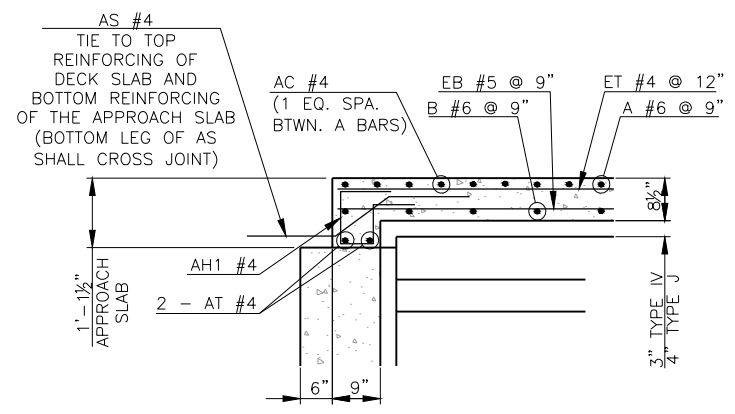
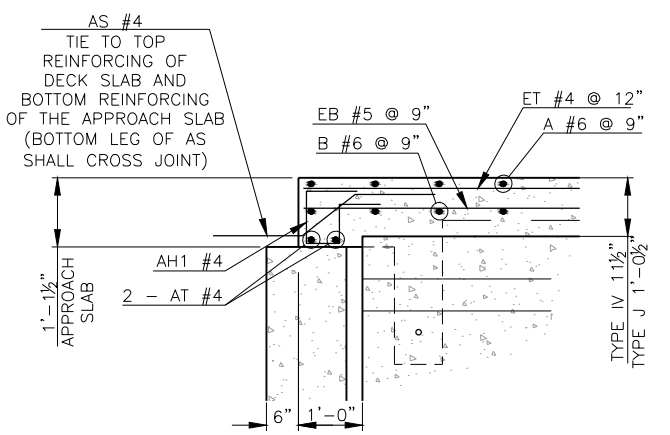


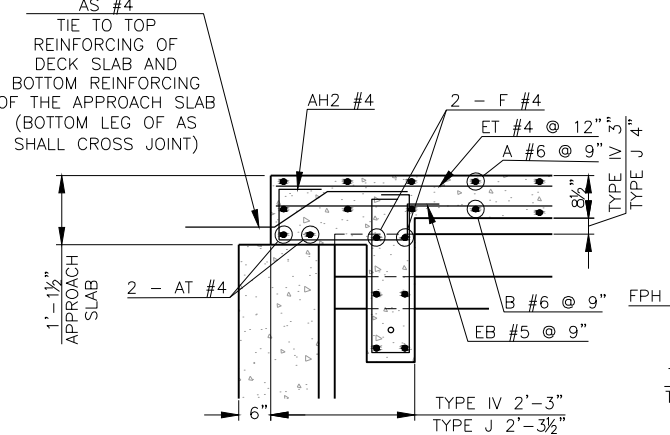
DESCRIPTION	REVISIONS	DATE



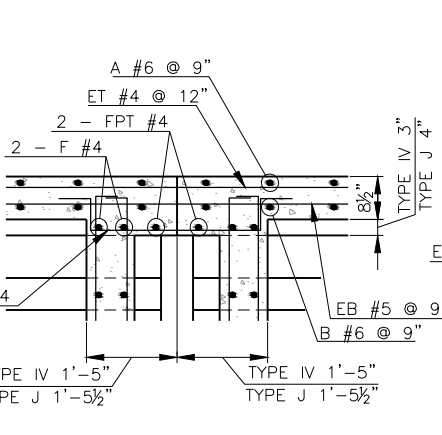
SECTION A



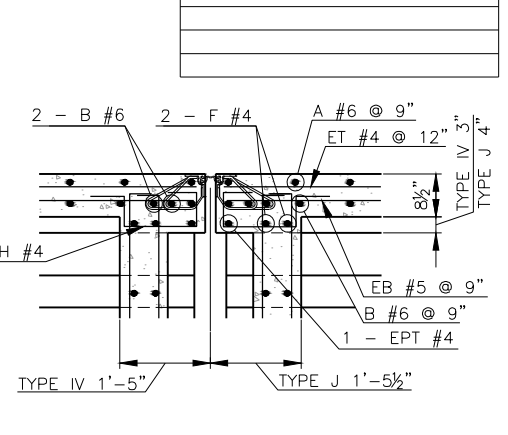
SECTION B



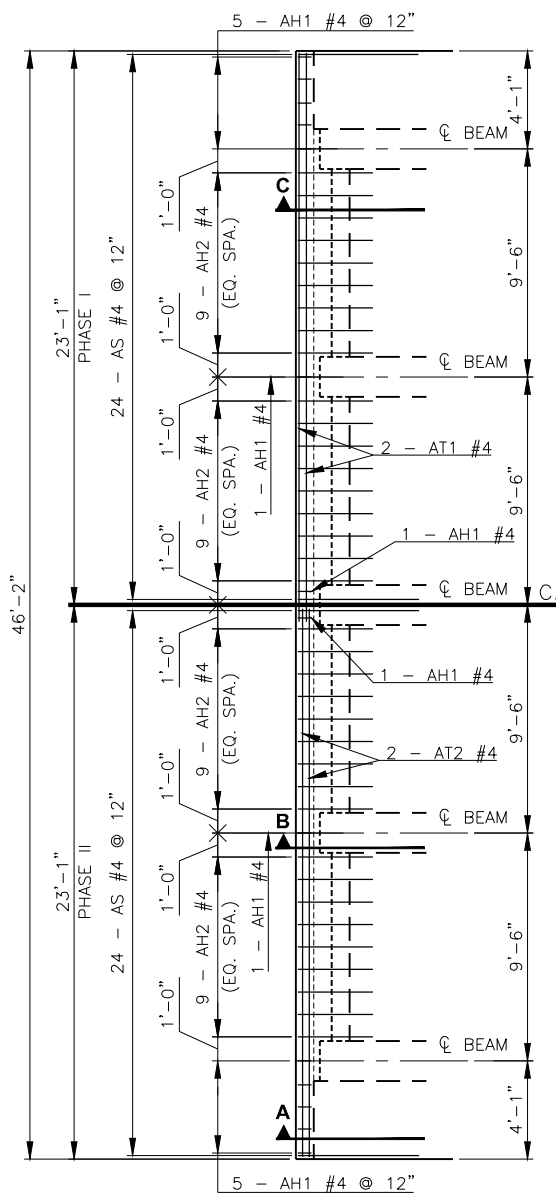
SECTION C



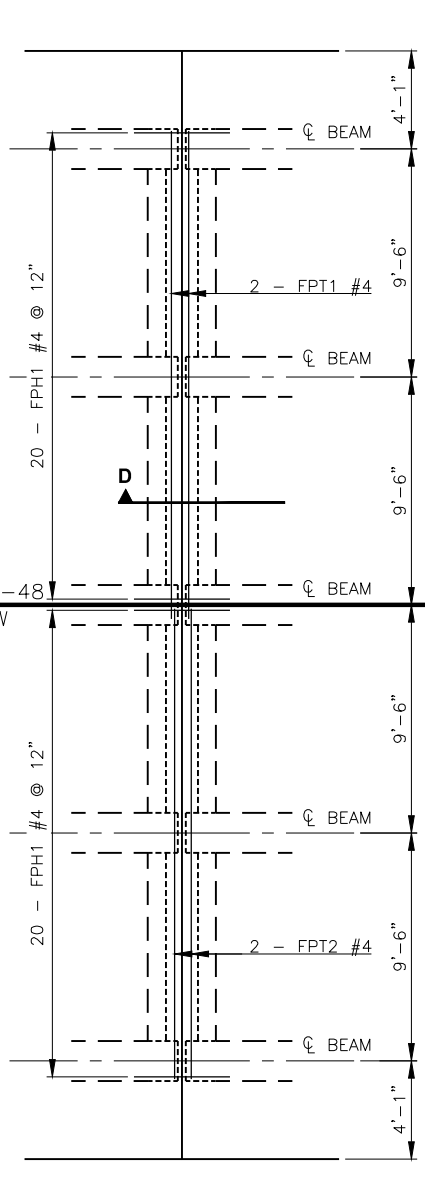
SECTION D



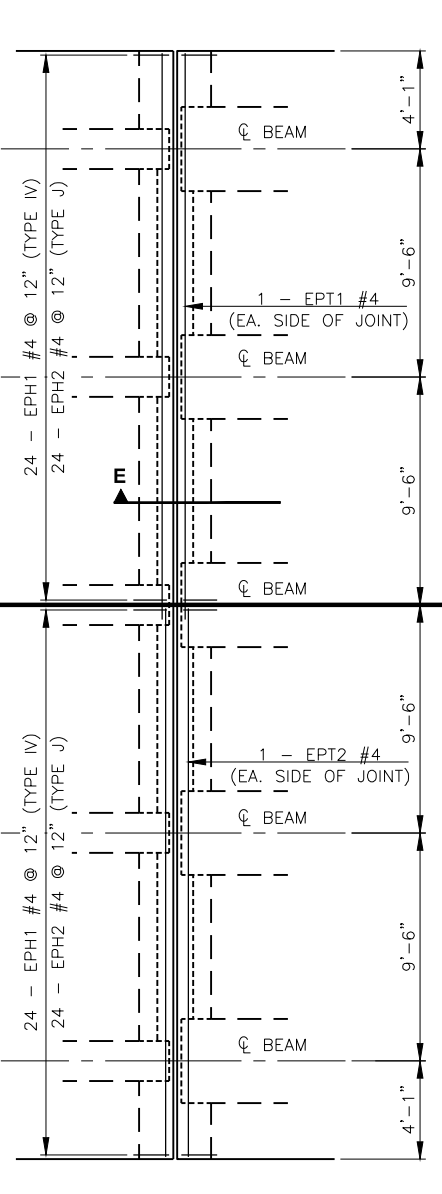
SECTION E



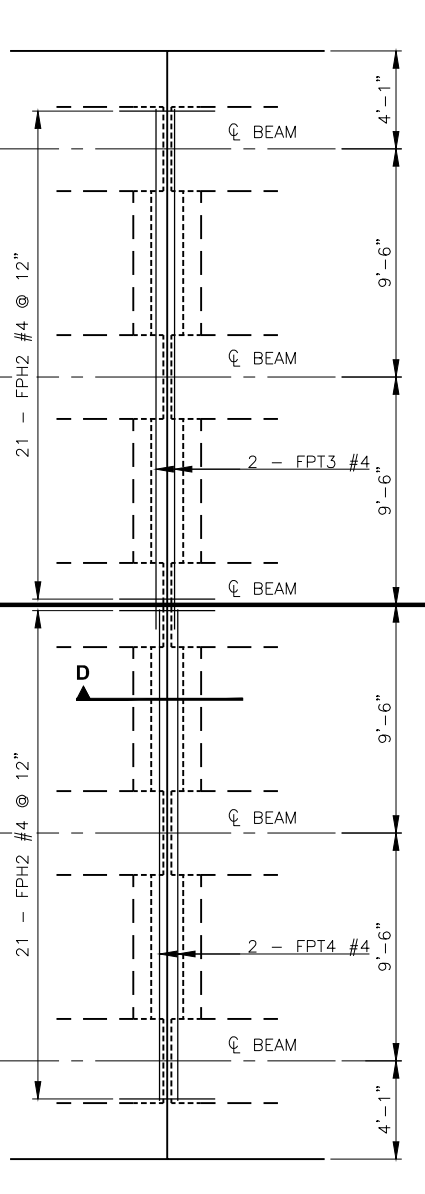
ABUTMENT NO. 1



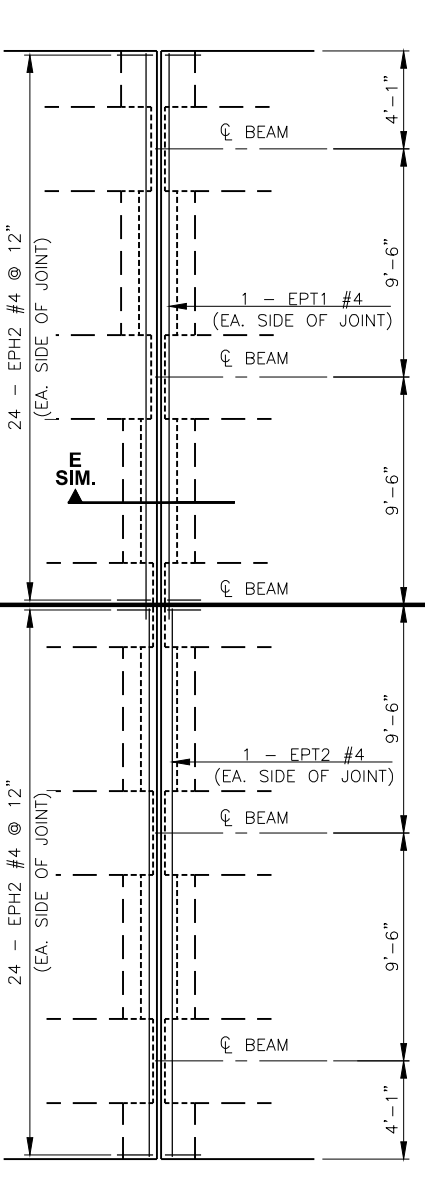
PIER NO. 1



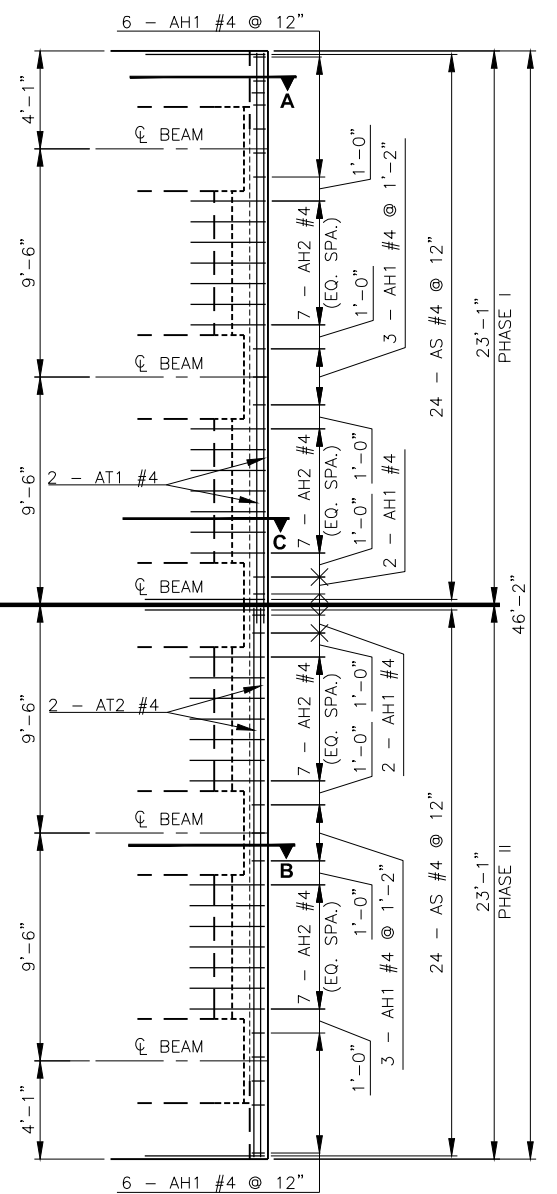
PIER NO. 2



PIER NO. 3



PIER NO. 4  
(PIER NO. 5 & 6 SIM.)



ABUTMENT NO. 2

ADDITIONAL SLAB REINFORCING PLAN

DESIGN	B.J.K.	SH-48 OVER CIMARRON RIVER	CREEK COUNTY
DRAWN	B.M.S.		
CHECKED	M.R.S.		
APPROV.	B.J.K.		
SQUAD	CEC		

ADDITIONAL SLAB REINFORCING PLAN